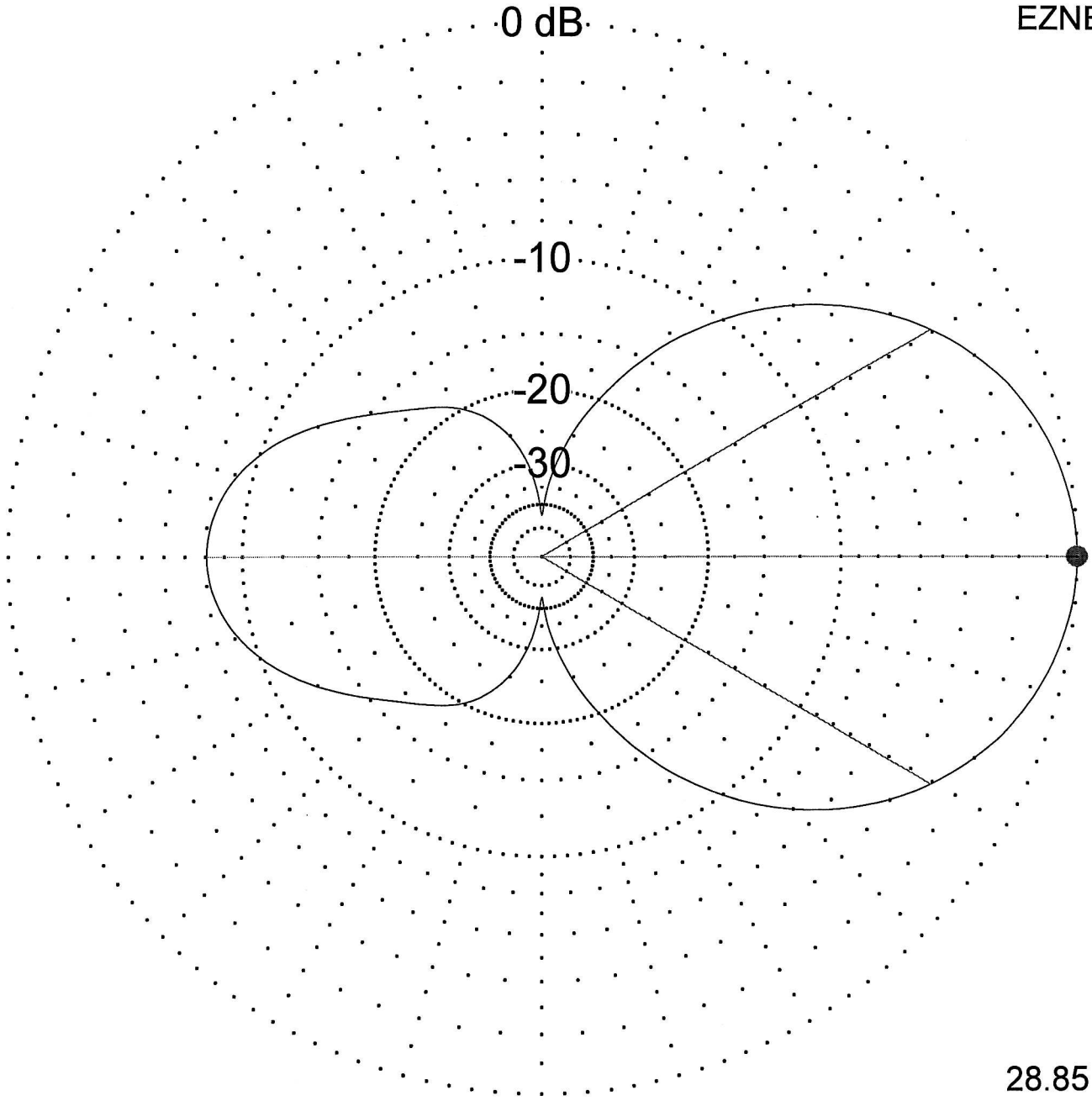


0 dB

EZNEC-M



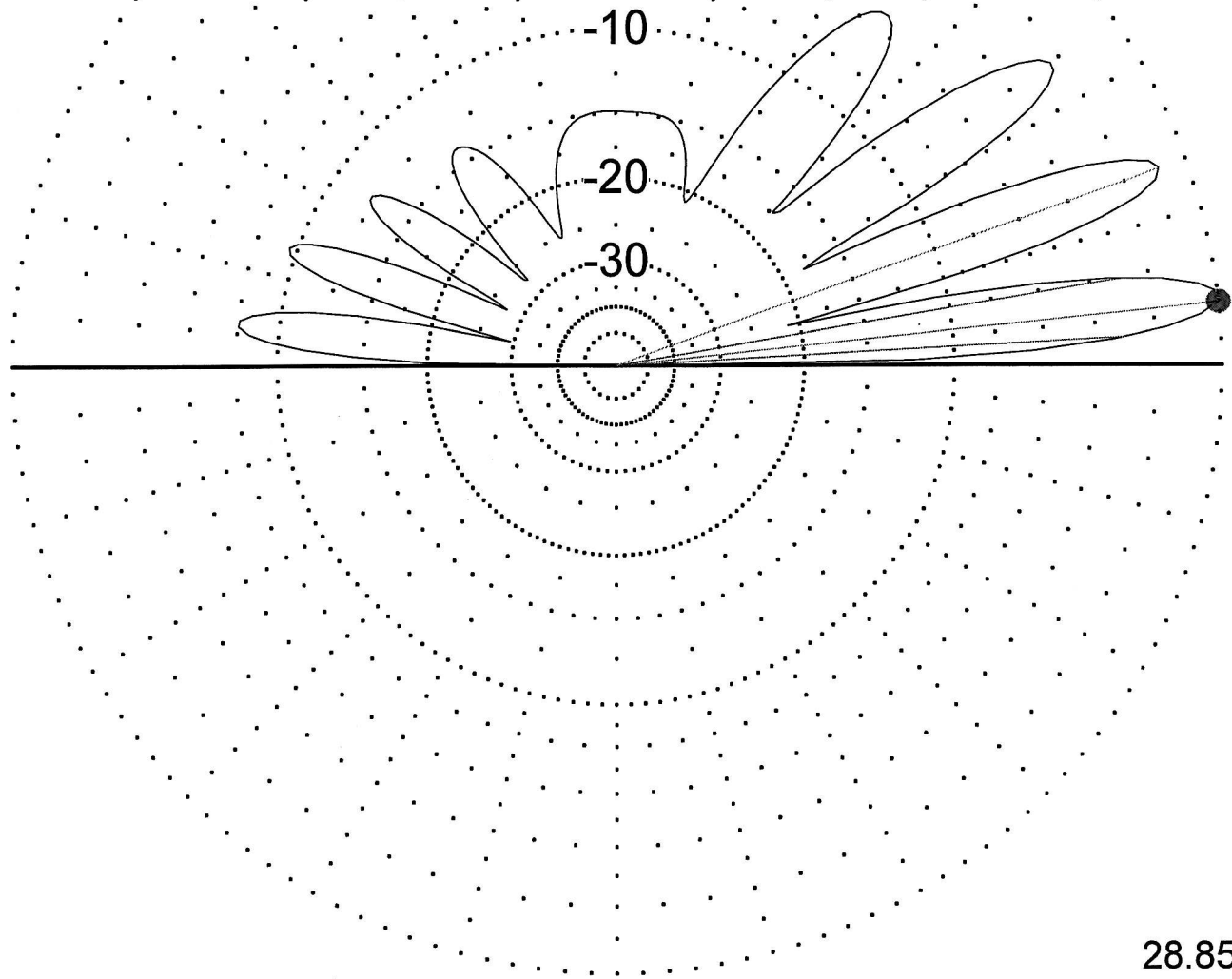
28.85 MHz

MacTenna SB20-10 on 10M
74 feet (22.6 meters) above average ground

Azimuth Plot		Cursor Az	0.0 deg.
Elevation Angle	6.0 deg.	Gain	13.74 dBi
Outer Ring	13.74dBi		0.0 dBmax
Slice Max Gain	13.74 dBi @ Az Angle = 0.0 deg.		
Front/Back	8.05 dB		
Beamwidth	60.8 deg.; -3dB @ 329.6, 30.4 deg.		
Sidelobe Gain	5.68 dBi @ Az Angle = 180.0 deg.		
Front/Sidelobe	8.05 dB		

0 dB

EZNEC-M



28.85 MHz

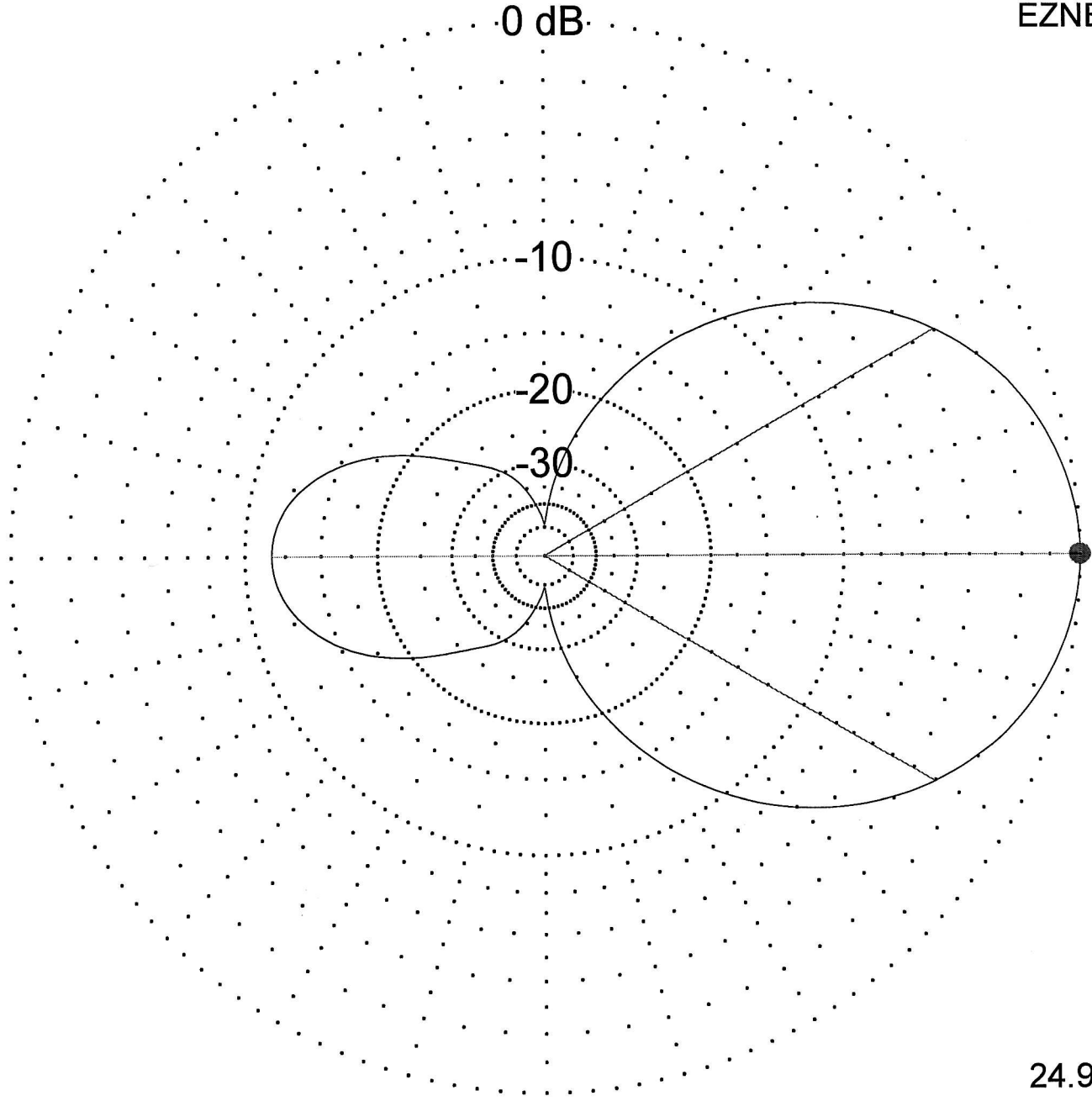
MacTenna SB20-10 on 10M

74 feet (22.6 meters) above average ground

Elevation Plot		Cursor Elev	6.0 deg.
Azimuth Angle	0.0 deg.	Gain	13.74 dBi
Outer Ring	13.74dBi		0.0 dBmax
Slice Max Gain	13.74 dBi @ Elev Angle = 6.0 deg.		
Beamwidth	6.6 deg.; -3dB @ 3.2, 9.8 deg.		
Sidelobe Gain	12.9 dBi @ Elev Angle = 20.0 deg.		
Front/Sidelobe	0.84 dB		

0 dB

EZNEC-M

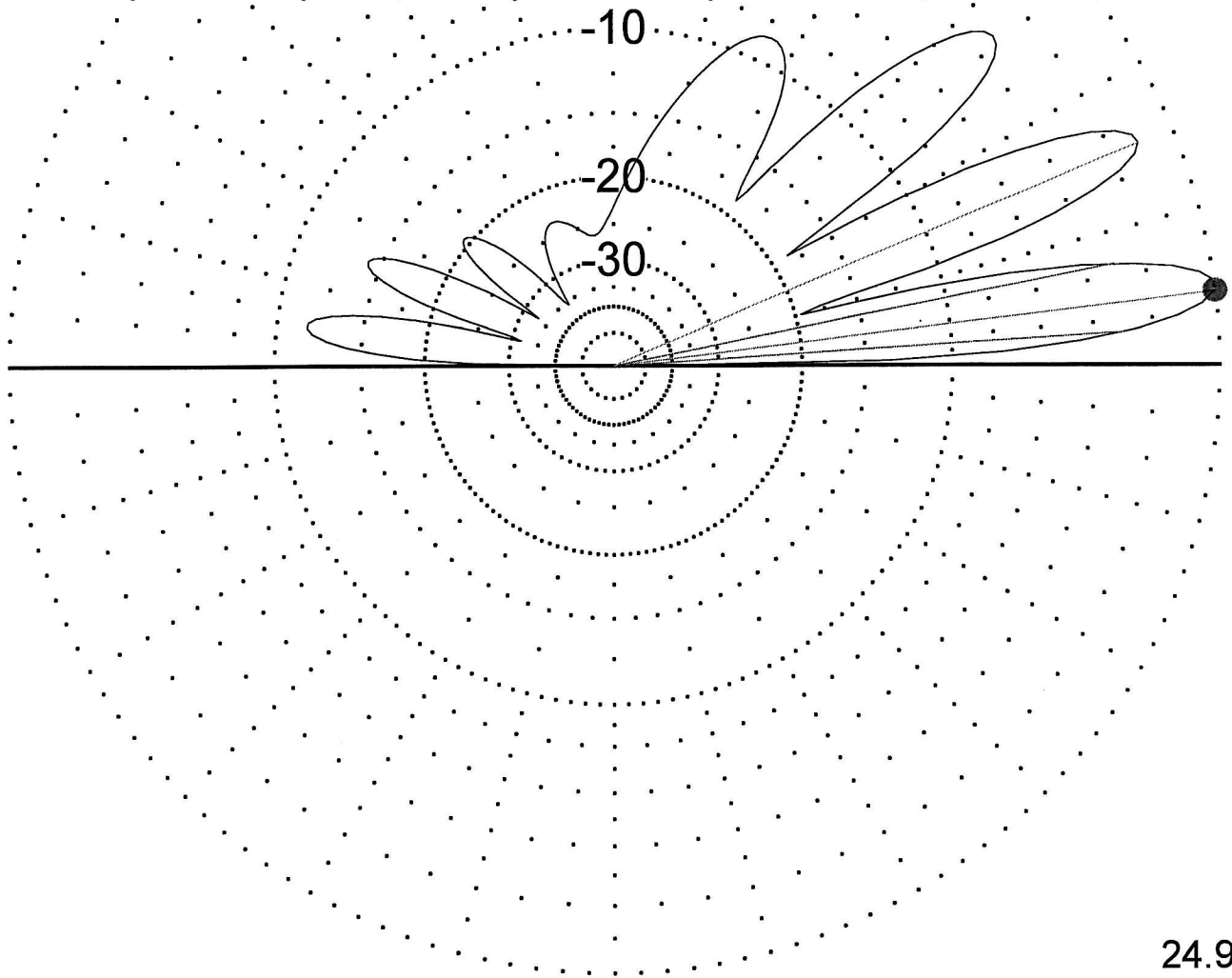


24.9 MHz

MacTenna SB20-10 on 12M

74 feet (22.6 meters) above average ground

Azimuth Plot		Cursor Az	0.0 deg.
Elevation Angle	7.0 deg.	Gain	14.24 dBi
Outer Ring	14.24dBi		0.0 dBmax
Slice Max Gain	14.24 dBi @ Az Angle = 0.0 deg.		
Front/Back	11.62 dB		
Beamwidth	60.4 deg.; -3dB @ 329.8, 30.2 deg.		
Sidelobe Gain	2.62 dBi @ Az Angle = 180.0 deg.		
Front/Sidelobe	11.62 dB		

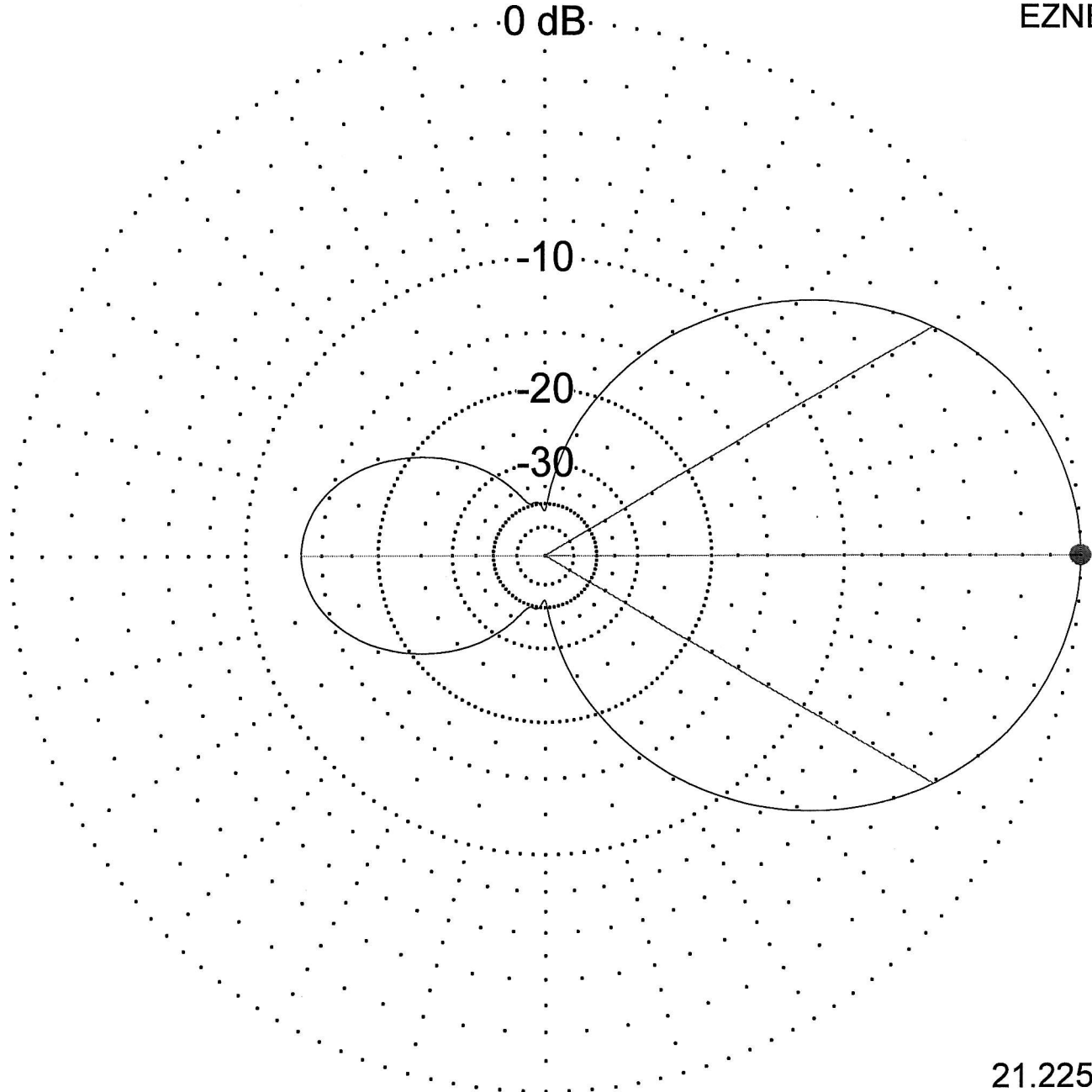


24.9 MHz

MacTenna SB20-10 on 12M

74 feet (22.6 meters) above average ground

Elevation Plot		Cursor Elev	7.0 deg.
Azimuth Angle	0.0 deg.	Gain	14.24 dBi
Outer Ring	14.24dBi		0.0 dBmax
Slice Max Gain	14.24 dBi @ Elev Angle = 7.0 deg.		
Beamwidth	7.7 deg.; -3dB @ 3.7, 11.4 deg.		
Sidelobe Gain	13.12 dBi @ Elev Angle = 23.0 deg.		
Front/Sidelobe	1.12 dB		



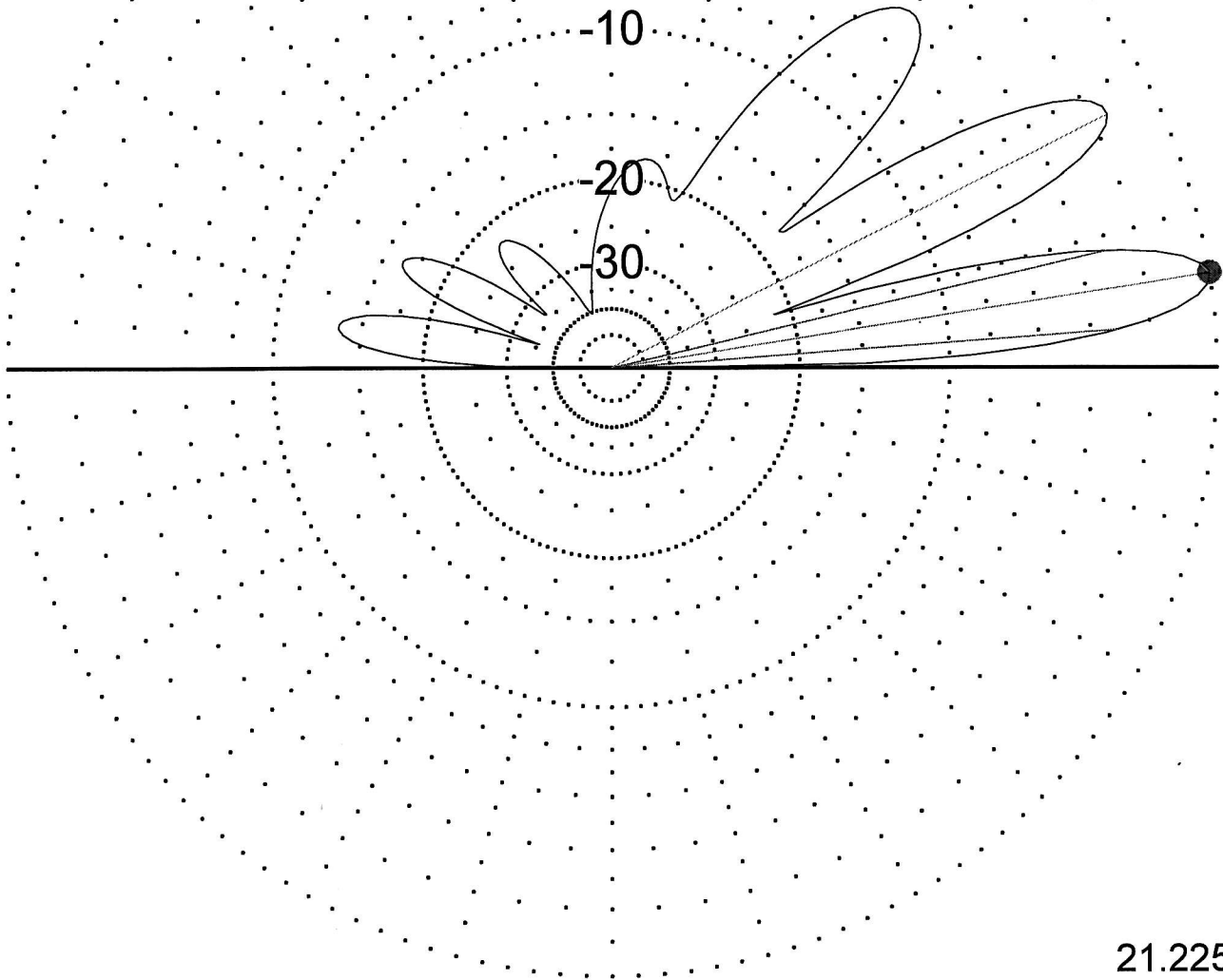
21.225 MHz

MacTenna SB20-10 on 15M
 74 feet (22.6 meters) above average ground

Azimuth Plot		Cursor Az	0.0 deg.
Elevation Angle	9.0 deg.	Gain	14.1 dBi
Outer Ring	14.1dBi		0.0 dBmax
Slice Max Gain	14.1 dBi @ Az Angle = 0.0 deg.		
Front/Back	13.5 dB		
Beamwidth	61.2 deg.; -3dB @ 329.4, 30.6 deg.		
Sidelobe Gain	0.6 dBi @ Az Angle = 180.0 deg.		
Front/Sidelobe	13.5 dB		

0 dB

EZNEC-M



21.225 MHz

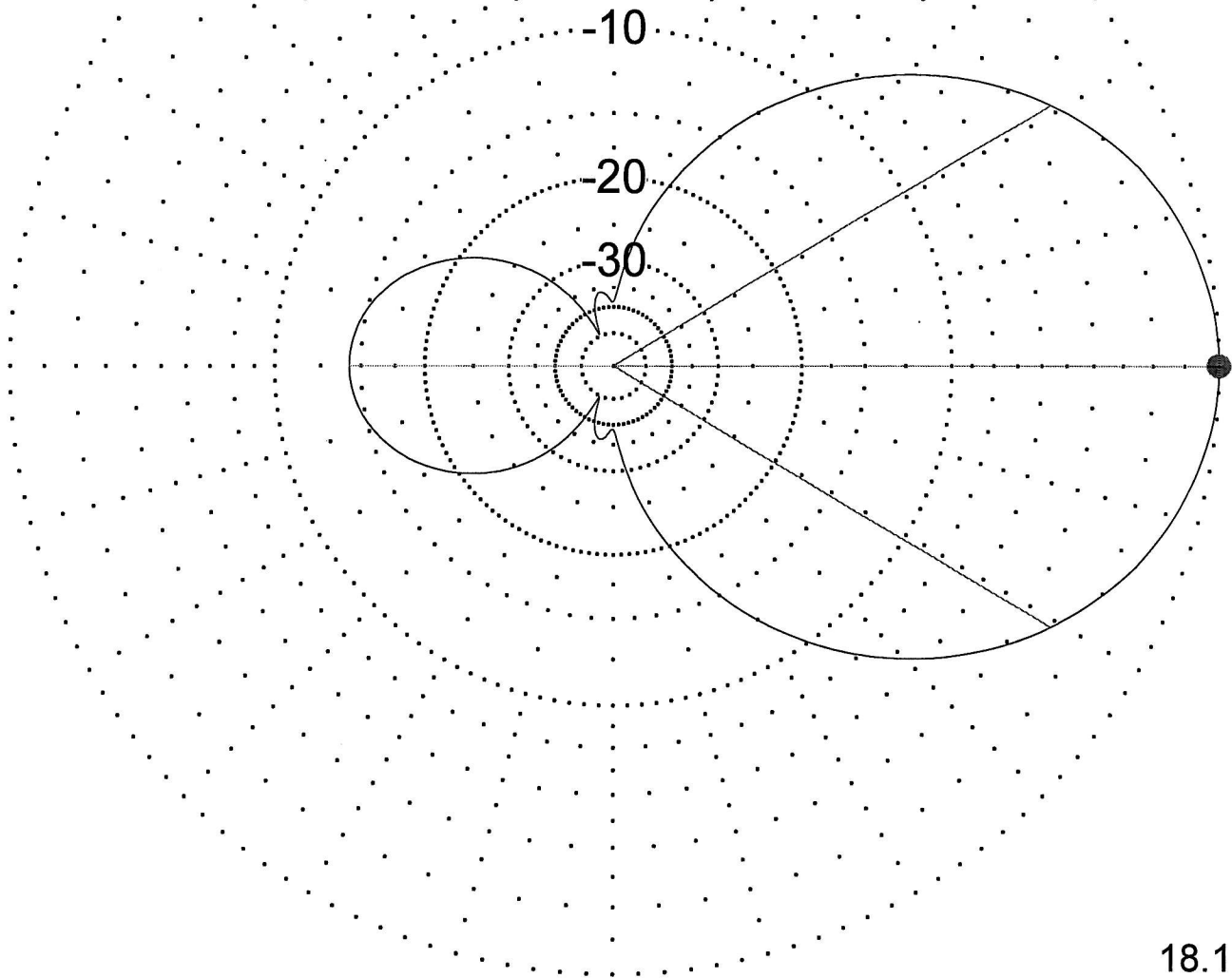
MacTenna SB20-10 on 15M

74 feet (22.6 meters) above average ground

Elevation Plot		Cursor Elev	9.0 deg.
Azimuth Angle	0.0 deg.	Gain	14.1 dBi
Outer Ring	14.1dBi		0.0 dBmax
Slice Max Gain	14.1 dBi @ Elev Angle = 9.0 deg.		
Beamwidth	9.0 deg.; -3dB @ 4.3, 13.3 deg.		
Sidelobe Gain	12.61 dBi @ Elev Angle = 27.0 deg.		
Front/Sidelobe	1.49 dB		

0 dB

EZNEC-M



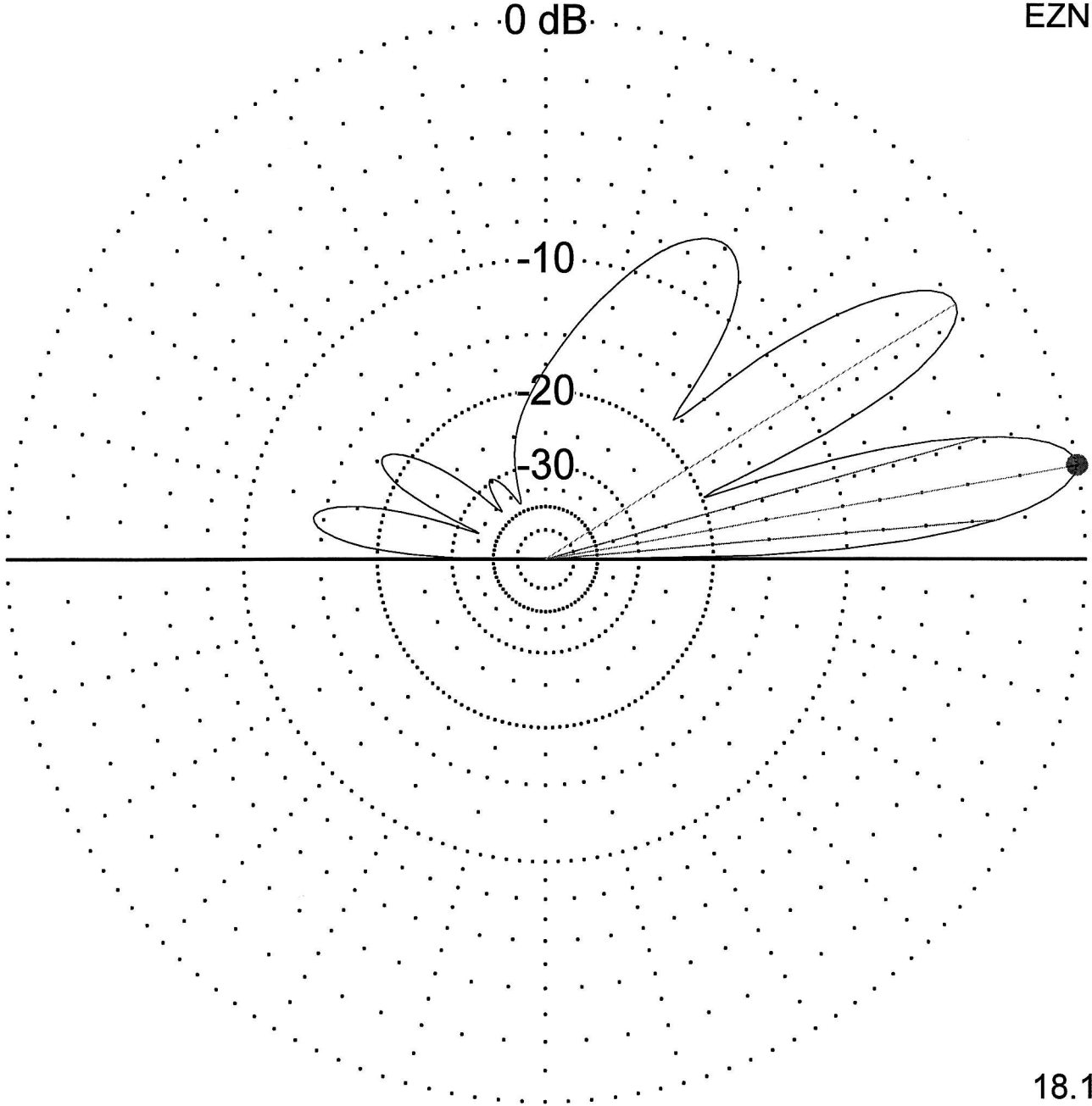
18.1 MHz

MacTenna SB20-10 on 17M
 74 feet (22.6 meters) above average ground

Azimuth Plot		Cursor Az	0.0 deg.
Elevation Angle	10.0 deg.	Gain	13.83 dBi
Outer Ring	13.83dBi		0.0 dBmax
Slice Max Gain	13.83 dBi @ Az Angle = 0.0 deg.		
Front/Back	14.23 dB		
Beamwidth	61.8 deg.; -3dB @ 329.1, 30.9 deg.		
Sidelobe Gain	-0.4 dBi @ Az Angle = 180.0 deg.		
Front/Sidelobe	14.23 dB		

0 dB

EZNEC-M

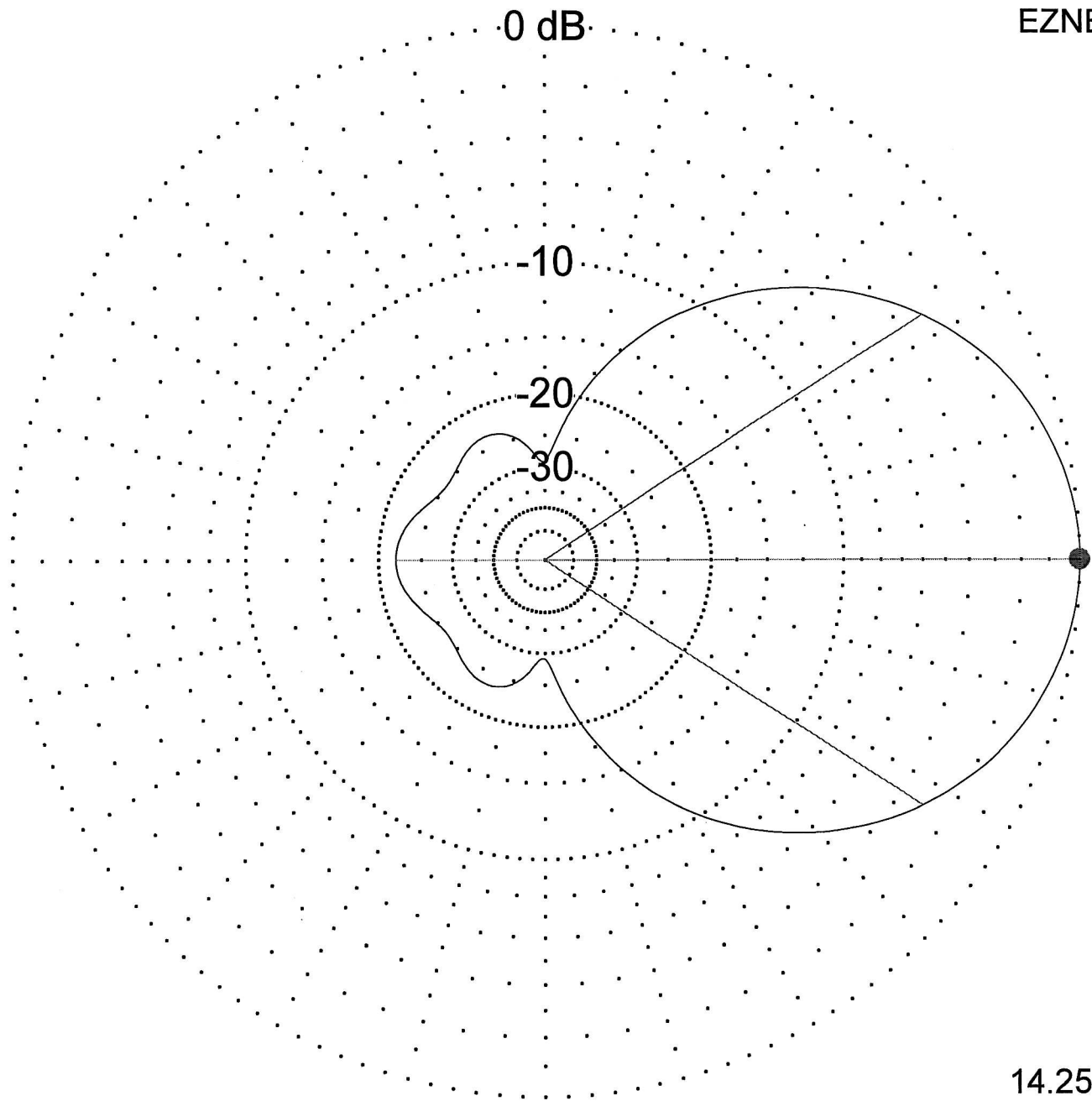


18.1 MHz

MacTenna SB20-10 on 17M

74 feet (22.6 meters) above average ground

Elevation Plot		Cursor Elev	10.0 deg.
Azimuth Angle	0.0 deg.	Gain	13.83 dBi
Outer Ring	13.83dBi		0.0 dBmax
Slice Max Gain	13.83 dBi @ Elev Angle = 10.0 deg.		
Beamwidth	10.6 deg.; -3dB @ 5.0, 15.6 deg.		
Sidelobe Gain	11.9 dBi @ Elev Angle = 32.0 deg.		
Front/Sidelobe	1.93 dB		

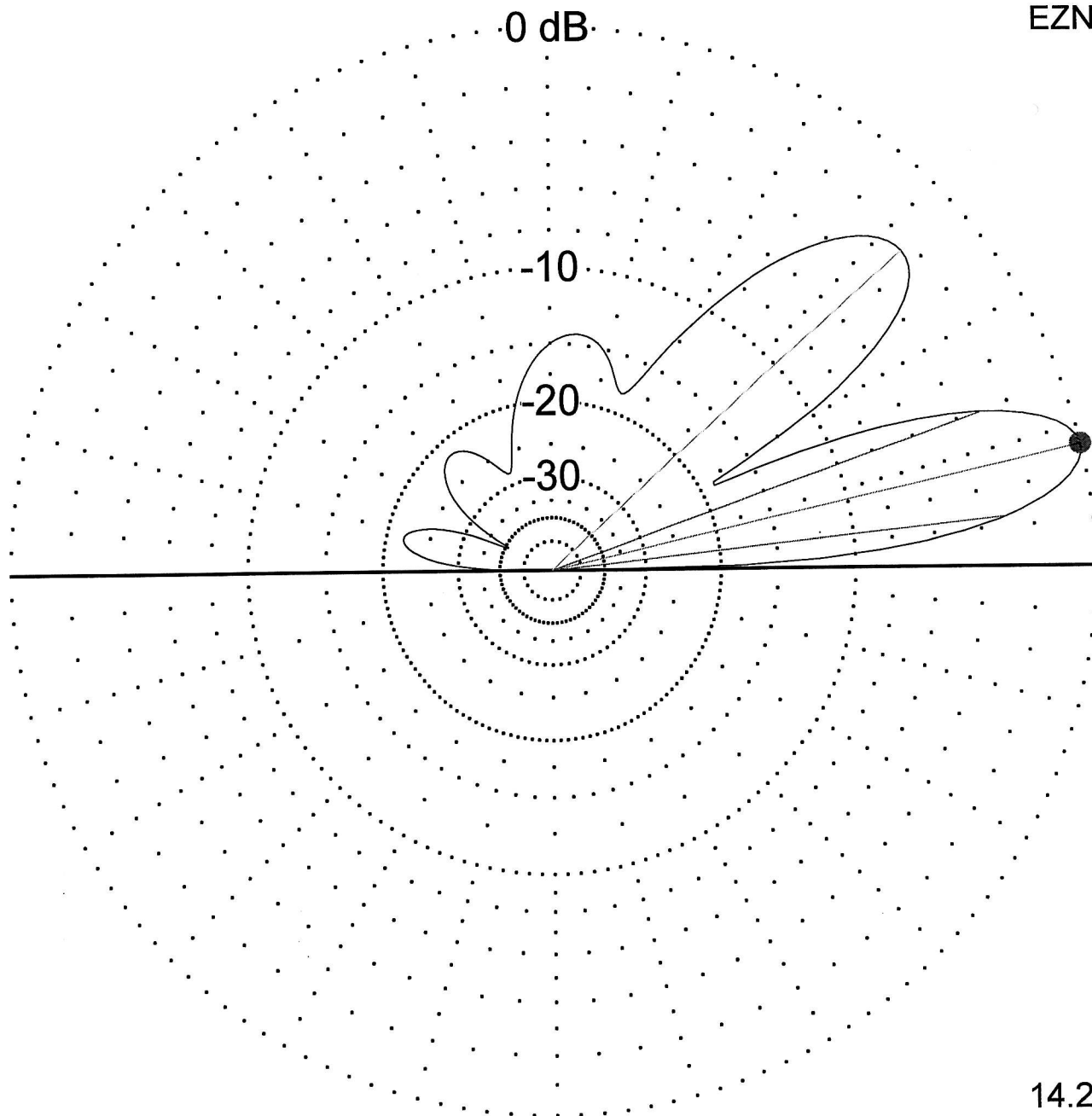


14.25 MHz

MacTenna SB20-10 on 20M

74 feet (22.6 meters) above average ground

Azimuth Plot		Cursor Az	0.0 deg.
Elevation Angle	13.0 deg.	Gain	12.89 dBi
Outer Ring	12.89dBi		0.0 dBmax
Slice Max Gain	12.89 dBi @ Az Angle = 0.0 deg.		
Front/Back	21.86 dB		
Beamwidth	66.2 deg.; -3dB @ 326.9, 33.1 deg.		
Sidelobe Gain	-8.97 dBi @ Az Angle = 180.0 deg.		
Front/Sidelobe	21.86 dB		



14.25 MHz

MacTenna SB20-10 on 20M

74 feet (22.6 meters) above average ground

Elevation Plot		Cursor Elev	13.0 deg.
Azimuth Angle	0.0 deg.	Gain	12.89 dBi
Outer Ring	12.89dBi		0.0 dBmax
Slice Max Gain	12.89 dBi @ Elev Angle = 13.0 deg.		
Beamwidth	13.5 deg.; -3dB @ 6.3, 19.8 deg.		
Sidelobe Gain	10.49 dBi @ Elev Angle = 42.0 deg.		
Front/Sidelobe	2.4 dB		